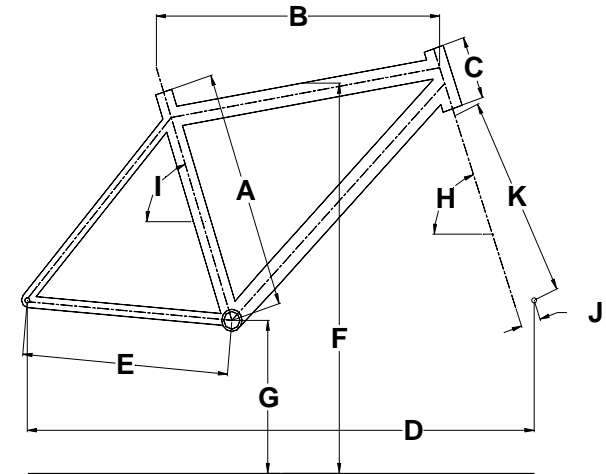


# El Saltamontes *“The Mountain Jumper (Grasshopper)”*

Ventana’s El Saltamontes is a cross-country thoroughbred and an all mountain workhorse in one. Featuring 4” of rear travel, El Saltamontes combines Ventana’s legendary lateral stiffness with a ride so smooth you’ll rack up marathon hours in the saddle.

Built to climb and descend with confidence all day long, El Saltamontes has been redesigned with a new drop down top tube gusset to make the frame even more robust than before. And since its aesthetic beauty complements its high performance design, El Saltamontes takes your breath away, whether you’re riding it, or just admiring it.

Frame Size:	Dimensions (inches except as noted)										
	A (seat tube)	B (top tube)	C (head tube)	D (wheel-base)	E (chain-stay)	F (stand-over)	G (BB height)	H (head angle)	I (seat angle)	J (fork rake)	K (fork length)
16”	16.0	22.27	3.75	41.43	17.00	28.80	13.2	70°	71.3°	41mm	471mm
18”	18.0	23.00	4.75	42.18	17.00	29.90	13.2	70°	71.3°	41mm	471mm
20”	20.0	23.73	5.50	42.93	17.00	31.40	13.2	70°	71.3°	41mm	471mm
22”	22.0	24.60	6.25	43.83	17.00	32.86	13.2	70°	71.3°	41mm	471mm



Note: Drawing for dimensional reference only

- Handcrafted in-house by Ventana
- Legendary Ventana “Electric Sex” TIG welds
- 4” rear travel with Fox Float R Pro-Pedal air shock
- Oversized precision sealed cartridge bearing pivots
- 100mm fork compatibility
- International standard disc brake mount
- 1-1/8” internally butted head tube with wrap-around gusset

- 73mm width internally butted BB shell
- Fits 34.9mm top pull front derailleur
- 27.2mm seat post diameter
- Colors: Super Dust or Blue Metallic
- Options/upgrades: quad bearings, Fox RP23 or Fox DHX 5.0 coil shock, additional colors, custom & semi-custom geometry

## Ventana Mountain Bikes, USA

P.O. Box 39, Rancho Cordova, CA 95741 Phone: 916-631-0544 Fax: 916-631-7627 Web site: [www.ventanausa.com](http://www.ventanausa.com) E-mail: [info@ventanausa.com](mailto:info@ventanausa.com)

***Designed and hand built in California by people who ride***